



**NASHUA<sup>®</sup> 438X**  
Extreme Weather Foil Scrim  
Kraft Tape

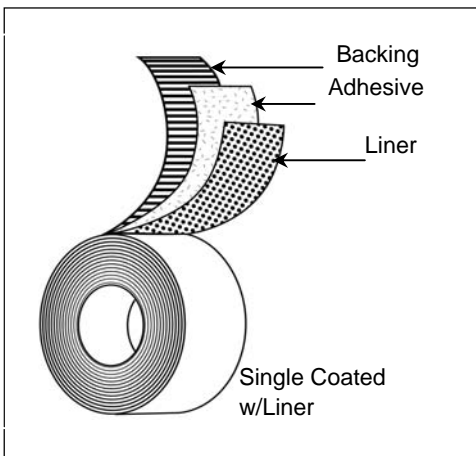
**APPLICATIONS**

- Seal and patch FSK duct boards and insulation.
- Extra-strength seal to maintain vapor barrier integrity.

**FEATURES & BENEFITS**

- Aluminum foil FSK backing with a specially formulated adhesive interleaved with a release liner.
- Specially designed to meet high strength, tear resistant sealing tape requirements.
- Provides excellent adhesion to substrate over extreme temperatures.
- Diamond pattern matches most FSK boards and blankets.
- Complies with VOC requirements of SCAQMD Rule 1168.
- **Contributes toward satisfying EA (Energy & Atmosphere) and IEQ (Indoor Environmental Quality) credits under LEED<sup>®</sup>.\*\***

**CONSTRUCTION**



**PRODUCT DESCRIPTION**

**Single-Coated w/Liner Construction**

**Backing:**

- Foil, Tri-Directional Fiberglass, & Kraft Paper

**Adhesive:**

- Extreme Weather Acrylic

**Liner:**

- Paper

**Colors:**

- Aluminum

**TEST DATA**

Test	Typical Value	Typical Value (Metric)	Test Method
Total Thickness	6.0 mils	152.4 μ	ASTM D-1000
Adhesion to Steel	75 oz./in.	8.2 N/cm	PSTC-1
Adhesion to Backing	70 oz./in.	7.66 N/cm	PSTC-1
Tensile Strength	30 lb./in.	52.53 N/cm	ASTM D-1000
Temperature Range	-35F to 260F		
VOC Content	<30 g/l		

**Recommended storage conditions: 40-60% Humidity, 60°F-80°F**

\*\*Products are not reviewed or certified under the LEED<sup>®</sup> Rating System. LEED<sup>®</sup> credit requirements cover the performance of materials in aggregate, the performance of individual products or brands. For more information on LEED<sup>®</sup>, visit [www.usgbc.org/leed](http://www.usgbc.org/leed).

The information presented herein was prepared at BERRY PLASTICS CORPORATION (25 Forge Parkway Franklin, MA 02038) by qualified technical personnel. To Berry's knowledge it is true and accurate. However, the information and recommendations are furnished for these products with the understanding that the purchase user, as the case may be, will independently determine that the product is suitable for the intended use, and that such use complies with all applicable federal, state & local laws and regulations. The data are submitted only for the user's information and consideration, and do not constitute a warranty of any kind (including but not limited to a warranty of merchantability or of fitness for a particular purpose), or a representation for which BERRY PLASTICS assumes any legal responsibility.