



**NASHUA® 394**  
Economy Grade Duct Tape

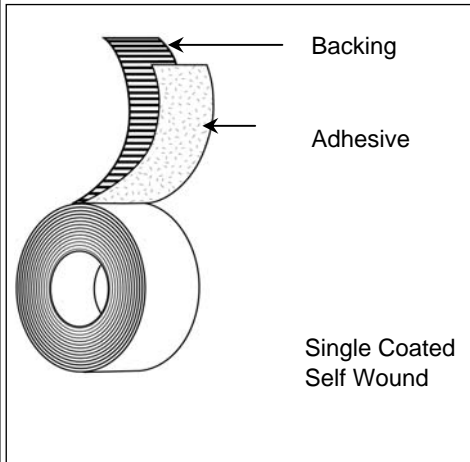
**APPLICATIONS**

- Home and general repair.
- Bundling, patching, and mending.

**FEATURES & BENEFITS**

- Versatile PE-coated cloth tape.
- Conforms well to irregular surfaces.
- Adheres well to a variety of substrates.
- Tears straight, hangs straight, curl resistant.
- **Contributes toward satisfying EA (Energy & Atmosphere) and IEQ (Indoor Environmental Quality) credits under LEED®.\*\***

**CONSTRUCTION**



**PRODUCT DESCRIPTION**

**Single-Coated Construction**

**Backing:**

- Polyethylene Coated Cloth

**Adhesive:**

- Rubber

**Colors:**

- Silver

**TEST DATA**

| Test                            | Typical Value | Typical Value (Metric) | Test Method |
|---------------------------------|---------------|------------------------|-------------|
| Total Thickness                 | 8.5 mils      | 215.90 μ               | ASTM D 1000 |
| Adhesion to Steel               | 40 oz./in.    | 4.38 N/cm              | PSTC-1      |
| Adhesion to Backing             | 35 oz./in.    | 3.83 N/cm              | PSTC-1      |
| Tensile Strength                | 19 lb./in.    | 33.27 N/cm             | ASTM D 1000 |
| Tack (Rolling Ball)             | 1.25"         |                        |             |
| Maximum Performance Temperature | 200 F         |                        |             |
| VOC Content                     | <1 g/L        |                        |             |

**Recommended storage conditions: 40-60% Humidity, 60°F-80°F**

\*\*Products are not reviewed or certified under the LEED® Rating System. LEED® credit requirements cover the performance of materials in aggregate, not the performance of individual products or brands. For more information on LEED®, visit [www.usgbc.org/leed](http://www.usgbc.org/leed).

The information presented herein was prepared at BERRY PLASTICS CORPORATION (25 Forge Parkway Franklin, MA 02038) by qualified technical person. To Berry's knowledge it is true and accurate. However, the information and recommendations are furnished for these products with the understanding that the purchaser or user, as the case may be, will independently determine that the product is suitable for the intended use, and that such use complies with all applicable federal, state and local laws and regulations. The data are submitted only for the user's information and consideration, and do not constitute a warranty of any kind (including but not limited to a warranty of merchantability or of fitness for a particular purpose), or a representation for which BERRY PLASTICS assumes any responsibility.