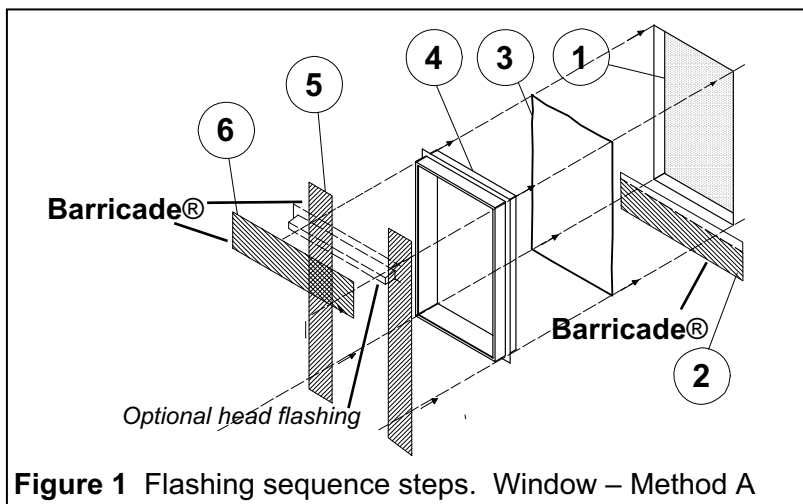


# Barricade® and Polyken® Flashing Tape Installation Methods

## Window Flashing Application - Method A

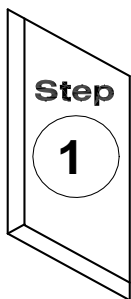
### Window Flashing Application – Method A

The following diagrams illustrate window flashing installation procedures according to Method A from ASTM E2112-07 Standard Practice for Installation of Exterior Windows, Doors and Skylights using Barricade® and Polyken® Flashing Tapes. Method A is jamb flashing applied over the window frame using typical building paper. Figure 1 is an exploded view showing the flashing sequence.



**Figure 1** Flashing sequence steps. Window – Method A

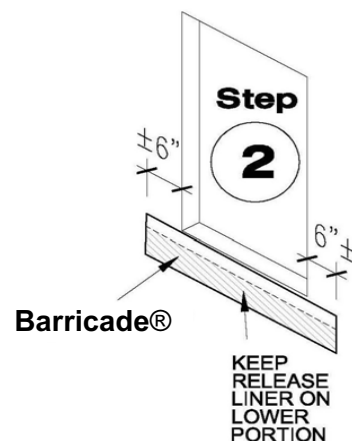
Step 1. Prepare opening and surrounding substrate. Keep substrate surface clean, dry, and smooth around the perimeter (see Figure 2).



**Figure 2** Prepare rough opening.

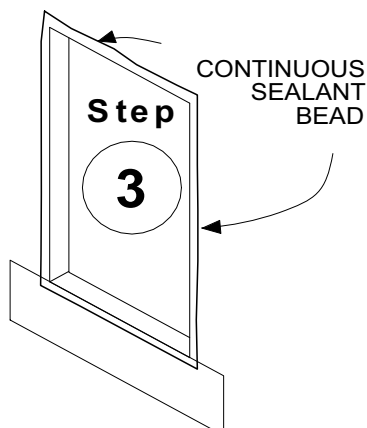
Step 2. Precut length of Barricade® or Polyken® sill flashing tape to extend a minimum of 6" beyond the rough opening at both jambs. (See Options below.)

Score the backside of Barricade® or Polyken® sill flashing, cutting lightly through release liner a few inches from top edge to act as a substrate adhering edge. Keep bottom portion of release liner on the Barricade® or Polyken® sill flashing until removed later. Apply Barricade® or Polyken® sill flashing tape across the rough opening of the sill (see Figure 3).



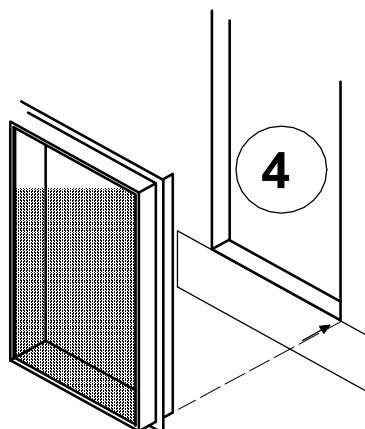
**Figure 3** Apply sill flashing.

Step 3. Apply sealant around perimeter opening or to backside of window fin at top, sides, and bottom (see Figure 4).



**Figure 4** Apply perimeter sealant.

Step 4. Install window in opening (see Figure 5).



**Figure 5** Install window into flashed opening.

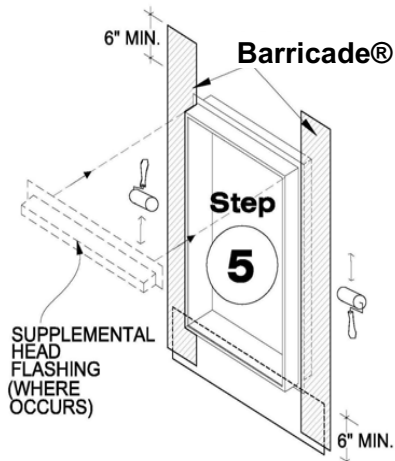
Options:

- 1) Apply split sheet of weather-resistant barrier (WRB) across sill. Then apply Barricade® or Polyken® sill flashing tape over the WRB.
- 2) Straight flashing tape can be omitted with the use of flexible Barricade® 797-50 Contour flashing tape (see other details available in Section 7.0 of Berry Plastics' flashing tape Manual).

# Barricade® and Polyken® Flashing Tape Installation Methods

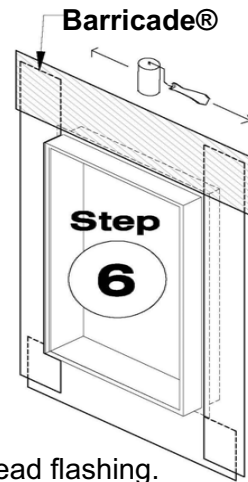
## Window Flashing Application - Method A

Step 5. Precut Barricade® or Polyken® jamb flashing tape to extend a minimum of 6" above and below the rough opening. Peel off release liner and adhere Barricade® or Polyken® jamb flashing over the jamb fins and over top of Barricade® or Polyken® sill flashing (see Figure 6).



**Figure 6** Apply jamb flashing.

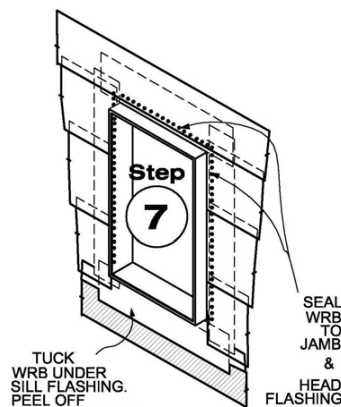
Step 6. Precut Barricade® or Polyken® head flashing tape to extend a minimum of 6" beyond the jambs of the rough opening. Peel off release liner and adhere Barricade® or Polyken® head flashing over window fin and substrate. Install supplemental head flashing (where occurs) with a strip of Barricade® or Polyken® flashing over the top leg (see Figure 7).



**Figure 7** Apply head flashing.

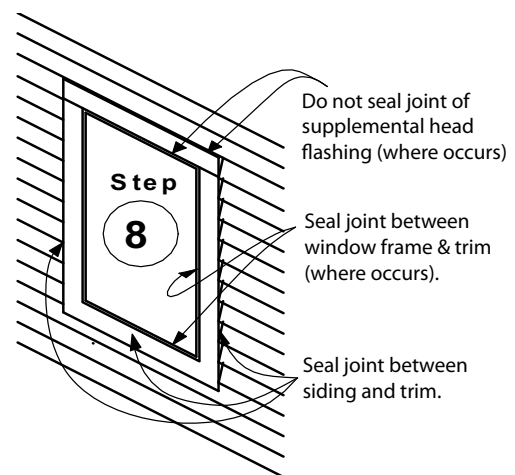
Step 7. Install weather-resistant barrier (WRB) shingle fashion from bottom of wall to top. Insert WRB under Barricade® or Polyken® sill flashing.

Peel off remaining release liner from Barricade® or Polyken® sill flashing and adhere to WRB. Seal edges of WRB to Barricade® or Polyken® flashing along the window jamb and head (see Figure 8).



**Figure 8** Install WRB and seal around perimeter.

Step 8. Install trim and/or exterior wall cladding around perimeter of window. Seal perimeter joints per the recommendations of the cladding and window manufacturers (see Figure 9).



**Figure 9** Install cladding.