

Barricade® and Polyken® Flashing Tape Installation Methods

Window Flashing Application - Method A1

Window Flashing Application – Method A1

The following diagrams illustrate window flashing installation procedures according to Method A1 from ASTM E2112-07 Standard Practice for Installation of Exterior Windows, Doors and Skylights using Barricade® and Polyken® Flashing Tapes. Method A1 is jamb flashing applied over the window frame with housewrap applied under the window frame. Figure 1 is an exploded view showing the flashing sequence

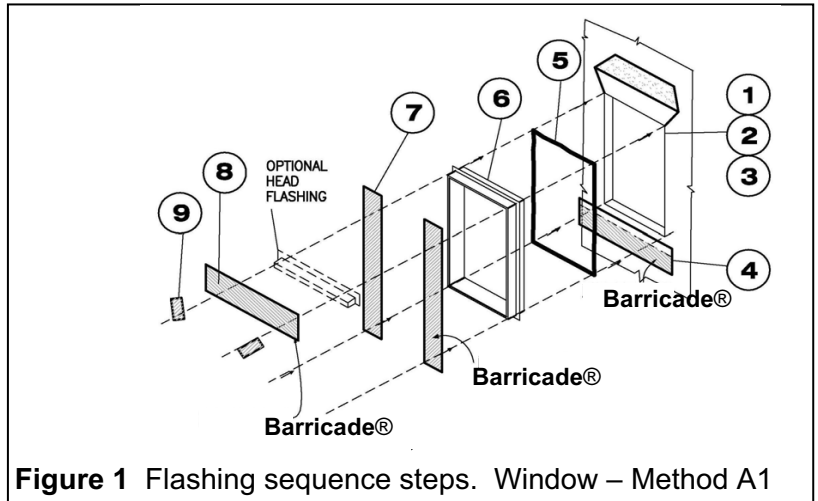


Figure 1 Flashing sequence steps. Window – Method A1

Step 1. Prepare opening and surrounding substrate. Keep substrate surface clean, dry, and smooth around the perimeter (see Figure 2).

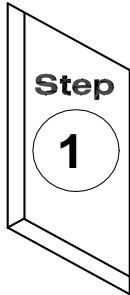


Figure 2 Prepare rough opening.

Step 2. Apply the continuous weather-resistant barrier (WRB – e.g., house wrap) across opening. Cut WRB at opening in modified T-pattern. Fold WRB into opening at sides and bottom (see Figure 3).

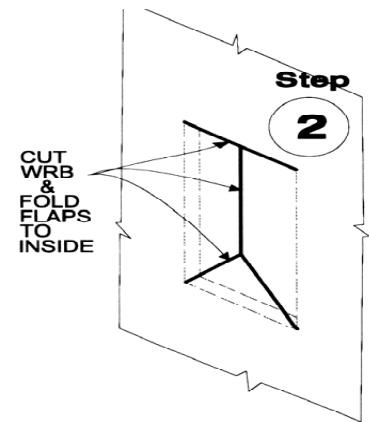


Figure 3 Install WRB and cut at opening.

Step 3. Cut diagonal slits from top of opening corners through WRB a distance equal to just more than the width of jamb/head flashing tape used. Fold flap of WRB above opening head and temporarily in place (see Figure 4).

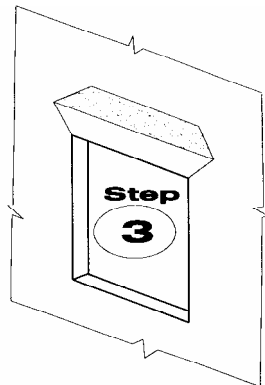


Figure 4 Cut head flap of WRB and fold up.

Step 4. Precut length of sill flashing to extend beyond rough opening on each side and beyond width of jamb flashings. Adhere Barricade® or Polyken® membrane over WRB across sill (see Figure 5).

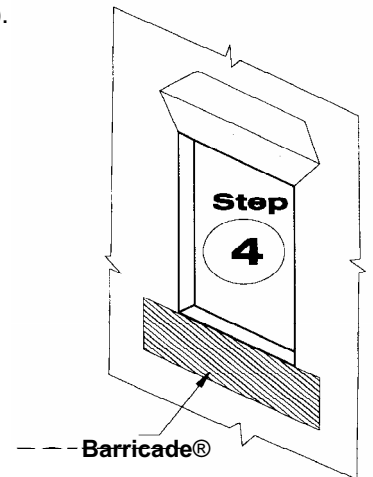


Figure 5 Apply sill flashing.

Barricade® and Polyken® Flashing Tape Installation Methods

Window Flashing Application - Method A1

Step 5. Apply seal around perimeter opening or to backside of window fin (see Figure 6).

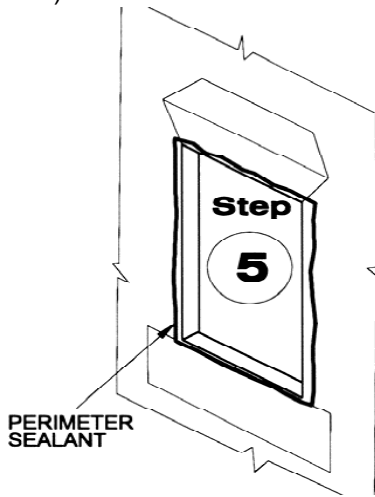


Figure 6 Apply perimeter sealant.

Step 6. Install window in opening (see Figure 7).

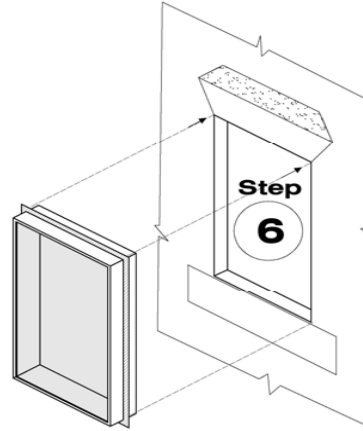


Figure 7 Install window into flashed opening.

Step 7. Precut Barricade® or Polyken® jamb flashing tape to extend a minimum of 6" above and below the rough opening. Peel off release liner and adhere Barricade® or Polyken® jamb flashing over the jamb fins and over top of Barricade® or Polyken® sill flashing (see Figure 8).

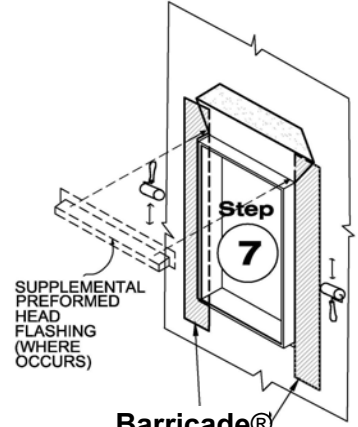


Figure 8 Apply jamb flashing.

Step 8. Precut Barricade® or Polyken® head flashing tape to extend a minimum of 6" beyond the jambs of the rough opening. Peel off release liner and adhere Barricade® or Polyken® head flashing over window fin and substrate. Install supplemental head flashing (where occurs) with a strip of Barricade® or Polyken® flashing over the top leg (see Figure 9).

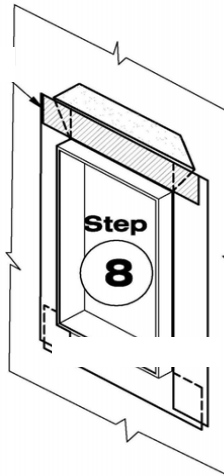


Figure 9 Apply head flashing.

Step 9. Fold down flap of WRB at head over Barricade® or Polyken® head flashing tape. Seal bottom of WRB flap along full length of window head. Install WRB sheathing tape or Barricade® or Polyken® flashing tape over diagonal cuts (see Figure 10).

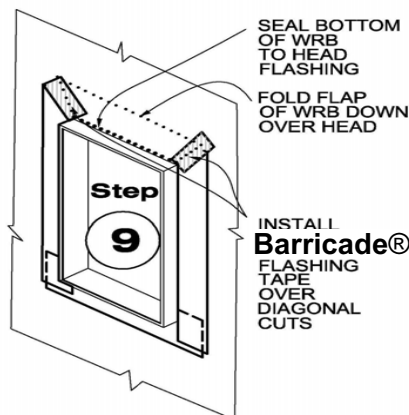


Figure 10 Unfold head flap, seal, and tape in place.

Step 10. Install trim and/or exterior wall cladding around perimeter of window. Seal perimeter joints per the recommendations of the cladding and window manufacturers (see Figure 11).

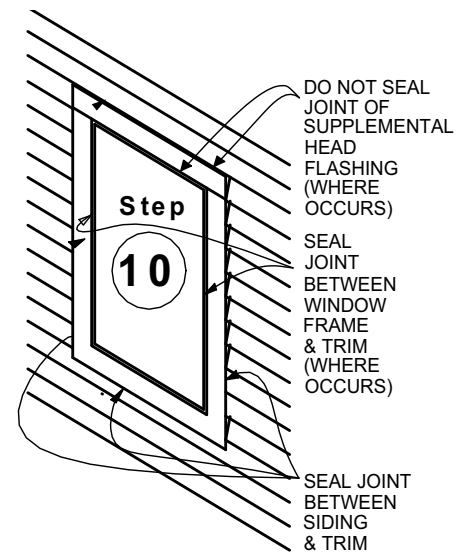


Figure 11 Install cladding.