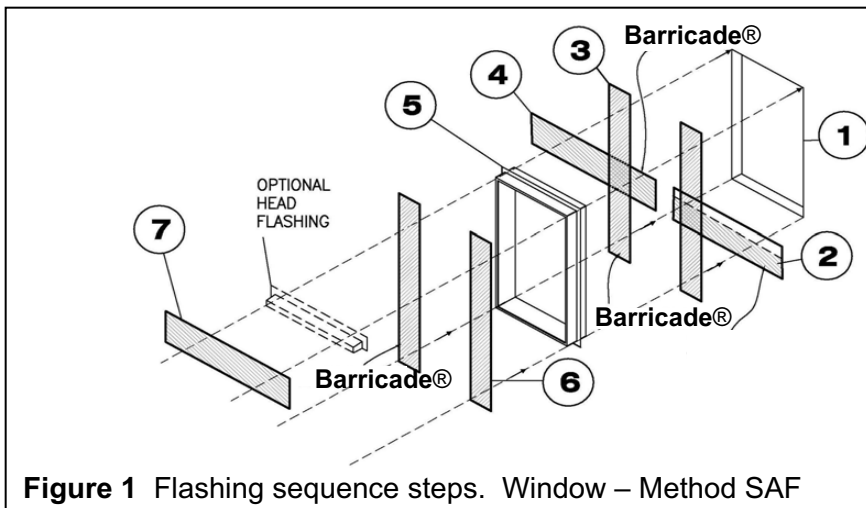


# Barricade® and Polyken® Flashing Tape Installation Methods

## Window Flashing Application - Method SAF

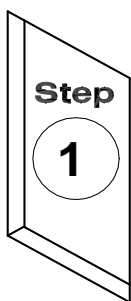
### Window Flashing Application – Method SAF

The following diagrams illustrate window flashing installation procedures that modify the methods described in ASTM E2112-07 Standard Practice for Installation of Exterior Windows and Skylights. This method combines features of ASTM Method A and Method B flashing under and over the fin of the frame. A strip of Barricade® or Polyken® flashing tape is substituted for the bead of perimeter sealant applied under the window fins in the ASTM methods. Figure 1 is an exploded view showing the flashing sequence.



**Figure 1** Flashing sequence steps. Window – Method SAF

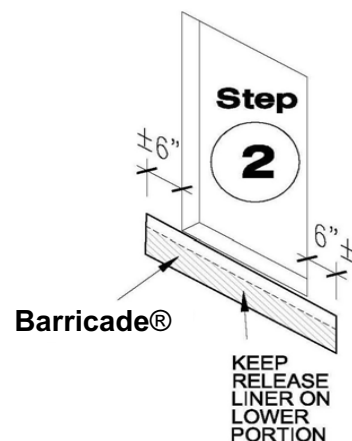
Step 1. Prepare opening and surrounding substrate. Keep substrate surface clean, dry, and smooth around the perimeter (see Figure 2).



**Figure 2** Prepare rough opening.

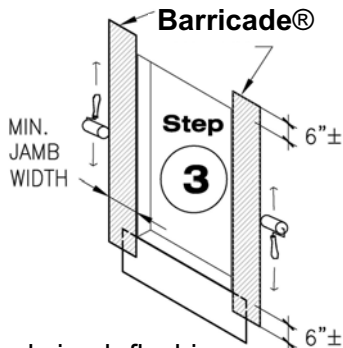
Step 2. Precut length of Barricade® or Polyken® sill flashing tape to extend a minimum of 6" beyond the rough opening at both jambs. (See Options below.)

Score the backside of Barricade® or Polyken® sill flashing, cutting lightly through release liner a few inches from top edge to act as a substrate adhering edge. Keep bottom portion of release liner on the Barricade® or Polyken® sill flashing until removed later. Apply Barricade® or Polyken® sill flashing tape across the rough opening of the sill (see Figure 3).



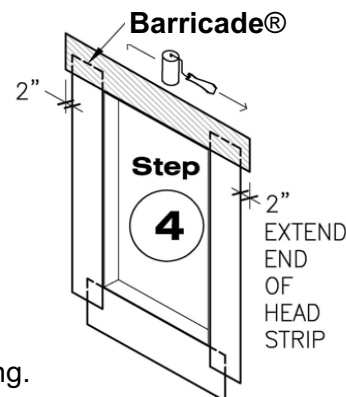
**Figure 3** Apply sill flashing.

Step 3. Precut Barricade® or Polyken® jamb flashing tape to extend a minimum of 6" above and below the rough opening. Peel off release liner and adhere Barricade® or Polyken® jamb flashing over the jamb fins and over top of Barricade® or Polyken® sill flashing.



**Figure 4** Apply jamb flashing.

Step 4. Precut Barricade® or Polyken® head flashing tape to extend a minimum of 6" beyond the jambs of the rough opening. Peel off release liner and adhere Barricade® or Polyken® head flashing over head opening and jamb flashings (see Figure 5).

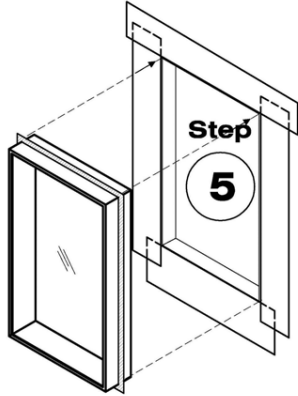


**Figure 5** Apply head flashing.

# Barricade® and Polyken® Flashing Tape Installation Methods

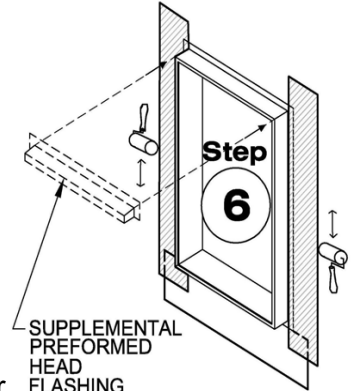
## Window Flashing Application - Method SAF

Step 5. Install window in opening (see Figure 6).



**Figure 6** Install window into flashed opening.

Step 6. Precut Barricade® or Polyken® jamb flashing tape to extend a minimum of 6" above and below the rough opening (see Figure 7).



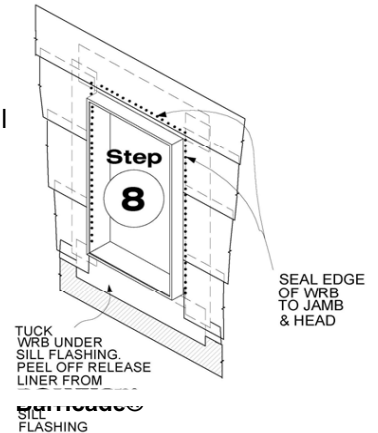
**Figure 7** Apply jamb flashing over frame.

Step 7. Precut Barricade® or Polyken® head flashing tape to extend a minimum of 6" beyond the jambs of the rough opening. Peel off release liner and adhere Barricade® or Polyken® membrane over window fin (and optional preformed head flashing) (see Figure 8).



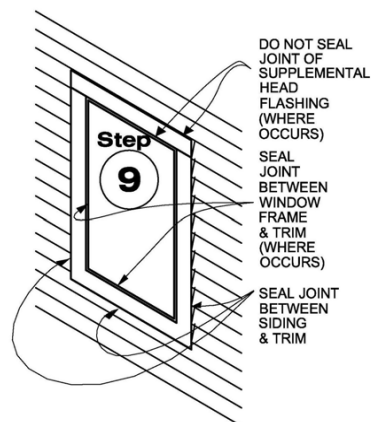
**Figure 8** Apply head flashing.

Step 8. Install weather-resistant barrier (WRB) shingle fashion from bottom of wall to top. Integrate sill flashing by inserting WRB under sill flashing. Peel off remaining release liner from Barricade® or Polyken® sill flashing and adhere to WRB. Seal edges of WRB to window jamb and head (see Figure 9).



**Figure 9** Install WRB and seal around perimeter.

Step 9. Install trim and/or exterior wall cladding around perimeter of window. Seal perimeter joints per the recommendations of the cladding and window manufacturers (see Figure 10).



**Figure 10** Install cladding.